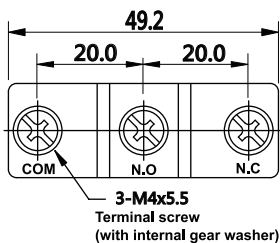
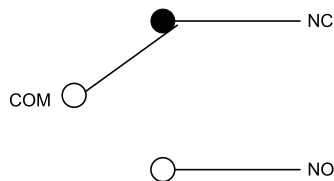




» Specifications

Electrical Characteristics	
Rating	10A 125VAC or 250VAC
Insulating Resistance	100MΩ Min (at 500 VDC)
Dielectric Strength	AC 1000V (50/60 Hz for 1 minute)
Contact Resistance	25mΩ Max. (Initial)
Mechanical Characteristics	
Operating Frequency	Mechanical: max. 120 operations/minute. Electrical: max. 30 operations/minute.
Operating Speed	0.5mm to 500mm/s (pin plunger models)
Vibration	10 to 55Hz, 1.5 mm double amplitude
Operating Life	Electrical: 100,000 cycles. Mechanical: 1,000,000 cycles.
Climatic Characteristics	
Degree of Protection	IP40 (Excluding the terminals)
Operating Temperature	-0°C ~ +55°C
Operating Humidity	95% max. (for 5°C to 35°C)

» Contact Configuration



» Features

- High precision and long life.
- Suitable for applications demanding higher mechanical strength
- Gasket diaphragm seal provides high environmental resistance.

» Product Selection

D □ □ □ □

1

1. HEAD AND ACTUATOR

5000: Push plunger type

5020: Roller plunger type

5040: Cross roller plunger type

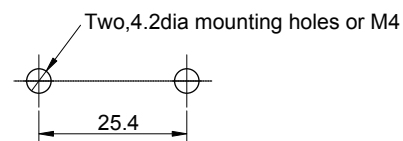
1000: Lever type

1020: Short lever type

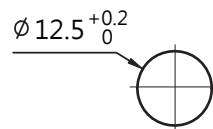
2000: Lever roller lever type

2020: Short lever roller type

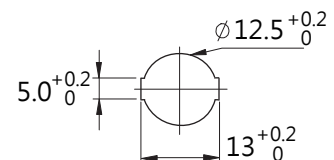
» Mounting Hole



Panel Mount Plunger

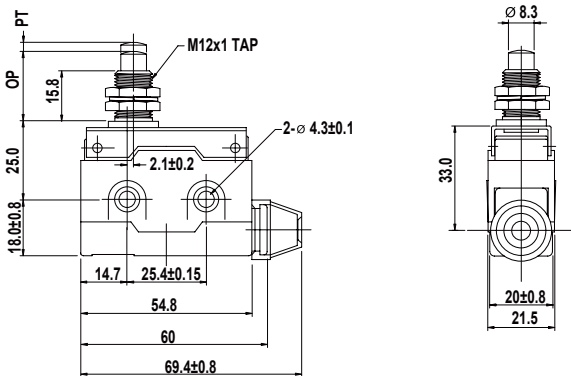


Panel Mount Roller Plunge



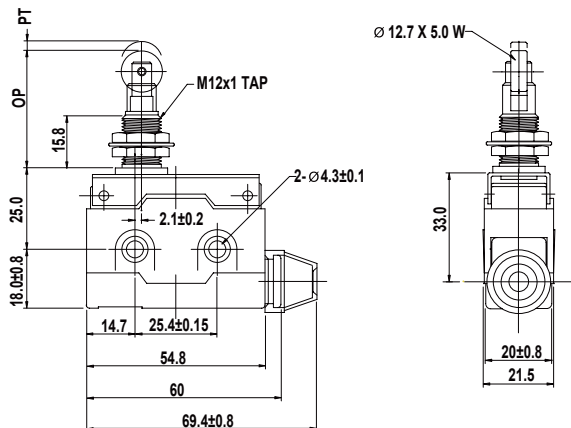
Operating Characteristics

Actuator Type D5000 Push Plunger



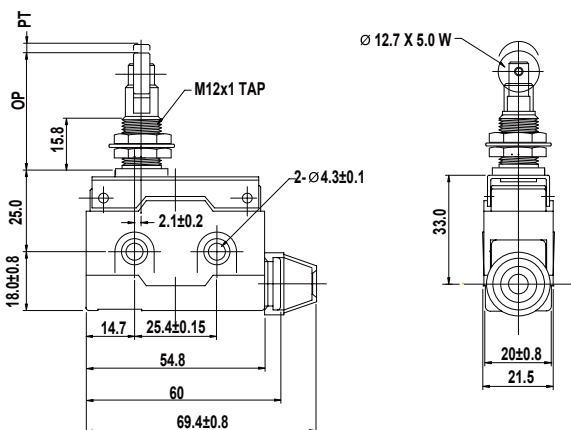
Operating characteristics	Model	D5000
Operating force	OF max.	600 gf
Release force	RF min.	100 gf
Pretravel	PT (NC) max.	1.6 mm
Free Position	FP max	23.4 mm
Overtravel	OT min.	5 mm
Movement differentia	MD max.	0.2 mm
Operating position	OP (mm)	21.8±1.2 mm

Actuator Type D5020 Roller Plunger



Operating characteristics	Model	D5020
Operating force	OF max.	600 gf
Release force	RF min.	100 gf
Pretravel	PT (NC) max.	1.6 mm
Free Position	FP max	35 mm
Overtravel	OT min.	5 mm
Movement differentia	MD max.	0.2 mm
Operating position	OP (mm)	33.4±1.3 mm

Actuator Type D5040 Cross Roller Plunger



Operating characteristics	Model	D5040
Operating force	OF max.	600 gf
Release force	RF min.	100 gf
Pretravel	PT (NC) max.	1.6 mm
Free Position	FP max	35 mm
Overtravel	OT min.	5 mm
Movement differentia	MD max.	0.2 mm
Operating position	OP (mm)	33.4±1.3 mm

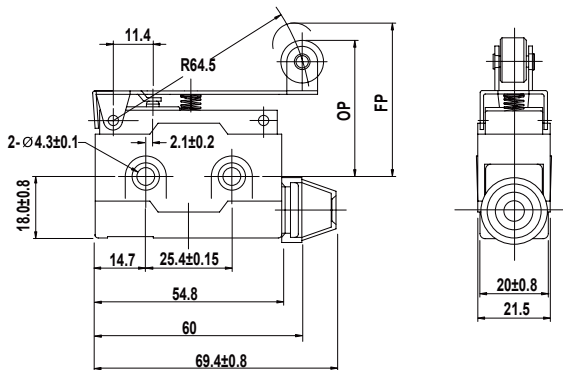
HIGHLY

C10

Design, specifications are subject to change without notice.

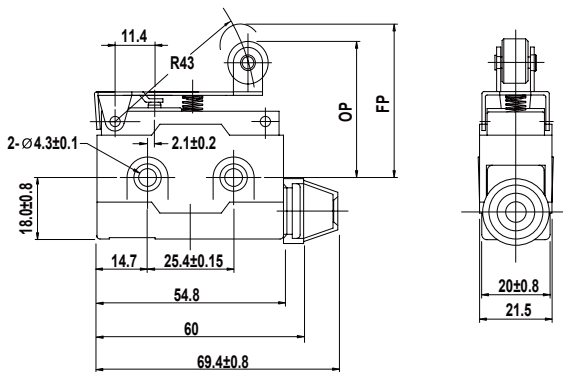
» Operating Characteristics

Actuator Type D2000 Lever Roller



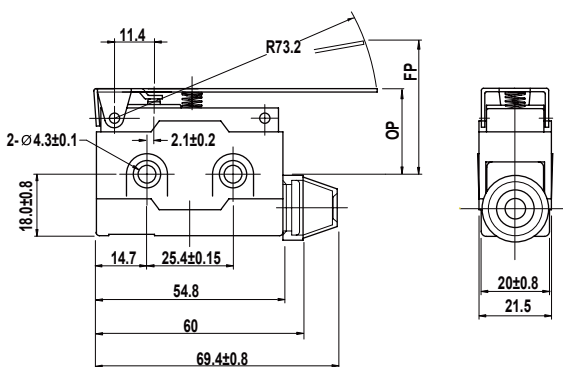
Operating characteristics	Model	D2000
Operating force	OF max.	195 gf
Release force	RF min.	28 gf
Pretravel	PT (NC) max.	8.5 mm
Free Position	FP max	48.5 mm
Overtravel	OT min.	3.2 mm
Movement differentia	MD max.	2.6 mm
Operating position	OP (mm)	40±1.0 mm
Free position	FP (mm)	50 mm

Actuator Type D2020 Short Lever Roller



Operating characteristics	Model	D2020
Operating force	OF max.	300 gf
Release force	RF min.	40 gf
Pretravel	PT (NC) max.	6.0 mm
Free Position	FP max	46 mm
Overtravel	OT min.	2.0 mm
Movement differentia	MD max.	1.5 mm
Operating position	OP (mm)	40±1.0 mm
Free position	FP (mm)	46 mm

Actuator Type D1000 Lever



Operating characteristics	Model	D1000
Operating force	OF max.	170 gf
Release force	RF min.	25 gf
Pretravel	PT (NC) max.	10.0 mm
Free Position	FP max	35 mm
Overtravel	OT min.	4.0 mm
Movement differentia	MD max.	3.0 mm
Operating position	OP (mm)	25±1.0 mm
Free position	FP (mm)	35 mm

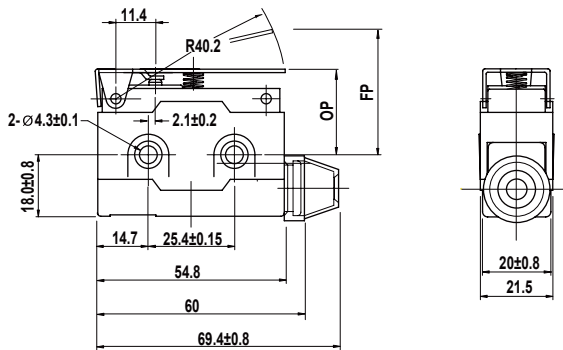
HIGHLY

C11

Design, specifications are subject to change without notice.

» Operating Characteristics

Actuator Type D1020 Short Lever



Operating characteristics	Model	D1020
Operating force	OF max.	260 gf
Release force	RF min.	35 gf
Pretravel	PT (NC) max.	7.0 mm
Free Position	FP max	32 mm
Overtravel	OT min.	2.5 mm
Movement differentia	MD max.	1.7 mm
Operating position	OP (mm)	25±1.0 mm
Free position	FP (mm)	32 mm