

» **Features**

- Auxiliary Actuators for type VS and VT Micro Switches
- Metal and Plastic material are both available.
- Many options of the button are available.
- Easy to install

» **Product Selection**

VAQ-4 -□-□-□-□

1 2 3 4 5

1.ACTUATOR TYPES

VAQ-4: Nylon(φ13mm)

VAQ-5R: Nylon(φ19mm)

AB5151: Metal(φ13mm)

AB6161-R: Metal(φ19mm)

2.BUTTON COLOR

R: Red

Y: Yellow

G: Green

3.CURRENT RATING

10: 10A 250VAC VS SERIES(S)

14: 14A 250VAC VT SERIES(C)

_ : WITHOUT (S)

4. CONTACT

1: 1 NC & 1NO(S)

2: NC(C)

3: NO(C)

5.TERMINAL

VS SERIES (10A)

A: Solder(C)

B: Screw(C)

C: 250 Quick Connect(C)

C2: 187 Quick Connect(S)

*(S)=Standard (C) =Customization

VT SERIES(14A)

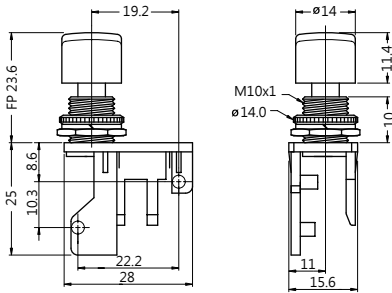
A: Solder(C)

C: 250 Quick Connect(C)

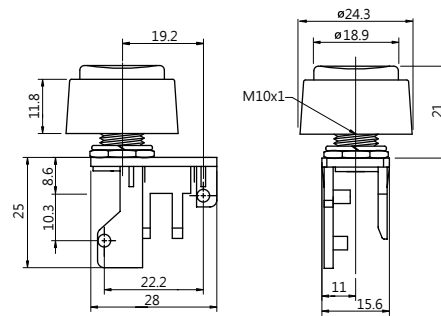
C2: 187 Quick Connect(C)

» **Operating Characteristics**

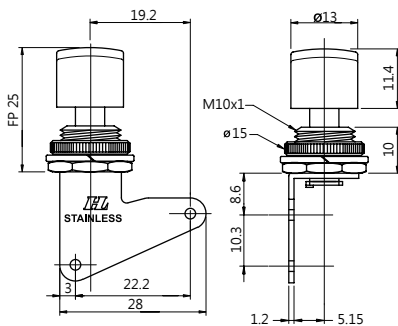
VAQ-4



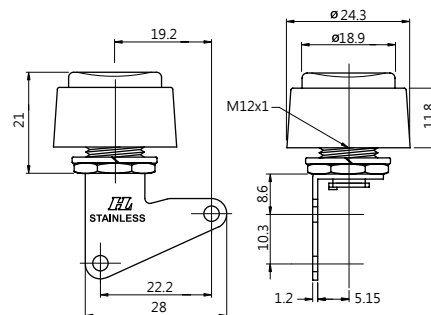
VAQ-5R



AB5151



AB6161-R



HIGHLY

B25

Design, specifications are subject to change without notice.