

» Features

- Precise design terminal type adequate for DIP IC pitch size (multiple of 2.54mm).
- Epoxy sealing treatment, free of flux entry.
- Several LED colors options.
- Side-actuated with right angle terminal.



» Applications

- Operating switches in all types of electronic equipment such as audioapparatus, office equipment, communications apparatus, TV sets, VCRs, etc.

» Specifications

Rating	0.1A 30VDC
Insulation Resistance	100MΩ Min (at 500 VDC)
Dielectric Strength	AC 500V (50/60 Hz for 1 minute)
Contact Resistance	50mΩ Max. (Initial)
Electrically Life	10,000 Cycles Min
Ambient Temperature	-10°C~ +80°C
Operating Force	150 ± 100gf (Momentary)
	250 ± 100gf (Alternate)
	200 ± 100gf (Momentary With Click)

» LED Specifications

Color	VR	IF	Recommended Operating Current	VF	
				Nor	Max
Red	DC 5V	20mA	20mA	1.7V	2.4V
Green	DC 5V	20mA	20mA	1.9V	2.4V
Yellow	DC 5V	20mA	20mA	1.9V	2.4V
Blue	DC 5V	20mA	20mA	3.0V	3.6V
White	DC 5V	20mA	20mA	3.0V	3.6V

For the specification about the other LEDs, please contact with sales department

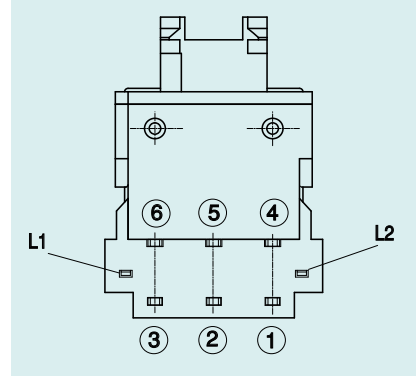
» Product selection

TP 613

FUNCTION		LED COLOR	
ARF	Non- LED Alternate	1	Red
BRF	Non - LED Momentary with click	2	Yellow
ARFL	LED Alternate	3	Green
BRFL	LED Momentary with click	4	Blue
		5	White
		6	Pure Green
		8	Amber
		9	Blue Green
		10	Pink
		011	Purple
		12	Red/Yellow
		13	Red/Green
		14	Red/Blue
		23	Yellow/Green
		48	Blue/Amber
		52	White/Yellow
		58	White/Amber
		-	Non-LED

» Circuit

Type	Switch Action	
TP613A RF	Normal ON	Push to lock ON
Connecting Terminal	1 - 2 4 - 5	2 - 3 5 - 6
TP613B RF	Normal ON	Push (ON)
Connecting Terminal	1 - 2 4 - 5	2 - 3 5 - 6
LED Circuit		



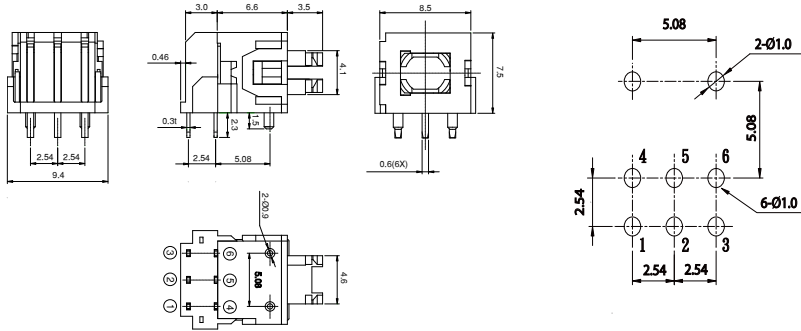
» Operating characteristics

Unit: mm

Dimensions

P.C.B Layout

TP613 □ RF



TP613 □ RFL

