

HIGHLY CONTROL UNITS

LED PILOT LAMP

Structure Description

Mounting Holder

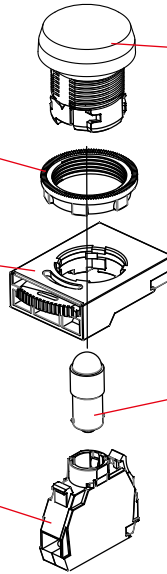
Mounting adapters available to make $\phi 22\text{mm}$ compatible to $\phi 30\text{mm}$ Mounting diameter.

Mounting Ring

Smart mounting ring can carry with various push button type.

Contact Block

Slow-action: 1NC,1NO.
Easy stackable contact block.
Compatible With LED holder.
Easy handling design.



Push Button

Several Emergency stop options
Non-LED or LED options
Several cap color options
Alternate/Alternate with click/ Momentary
/Pull and lock/ Push-in lock/Key button options

S-9 LED LAMP

Several LED color options
Several bulb voltage options
AC.DC 24V
AC.DC 110-120V
AC.DC 220-240V
AC 380-440V
AC.DC 12V

Product Selection

H□22-□□

1 2 3

1. SERIES

HPL22 Round Head
HLD22 Flush Head

2.CAP COLOR

R RED
G GREEN
Y YELLOW
S BLUE
O ORANGE
W WHITE

3.LED BULB VOLTAGE

HPL22		HLD22	
A	AC.DC 24V	A	AC.DC 24V
E	AC.DC 110-120V	E	AC 110-120V
I	AC.DC 220-240V	I	AC 220-240V
M	AC 380-440V	M	AC 380-440V
Y	AC.DC 12V		

Operating Characteristics

Item

Description

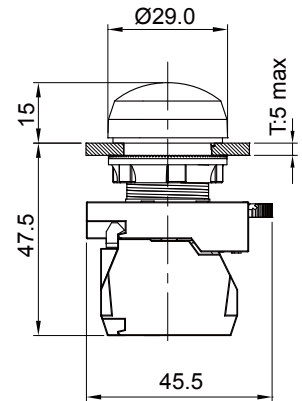
Dimensions

Unit: mm

HPL22



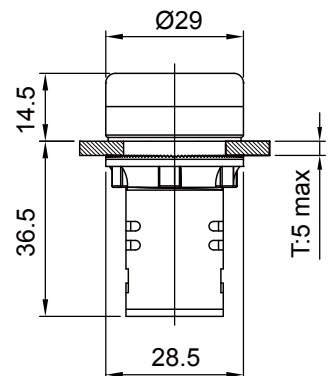
HEAD TYPE	ITEM	LED COLOR
HPL22: Round Head	HPL22-R□	RED
	HPL22-G□	GREEN
	HPL22-Y□	YELLOW
	HPL22-S□	BLUE
	HPL22-W□	WHITE



HLD22



HEAD TYPE	ITEM	LED COLOR
HLD22: Flush Head	HLD22-R□	RED
	HLD22-G□	GREEN
	HLD22-Y□	YELLOW
	HLD22-S□	BLUE
	HLD22-O□	ORANGE
	HLD22-W□	WHITE
	HLD22-Y□	YELLOW



HIGHLY

G10

Design, specifications are subject to change without notice.

HIGHLYCONTROL UNITS

Accessories

CONTACT BLOCKS

CB-□

1

1.CONTACT TYPE

10 1NO

01 1NC

SB Fixing base

A9 Bulb Holder

L Anti-Disturbance Bulb Holder



CB-10



CB-01



CB-SB



CB-A9



CB-L

LED BULB

BS9-□ □

1 2

1.LED COLOR

R RED

G GREEN

Y YELLOW

S BLUE

B BLACK

W WHITE

2.LED BULB VOLTAGE

A AC.DC 24V

E AC.DC 110-120V

I AC.DC 220-240V

M AC 380-440V

Y AC.DC 12V



M TYPE



A.E.I.Y TYPE

BUZZER

HBZ22-□

1

1.VOLTAGE

A AC.DC 24V

E AC.DC 110-120V

I AC.DC 220-240V



MOUNTING ADAPTOR SWITCHABLE

from 22mm to 30mm

HPB30



TOOLS OF FABRICATING

02T



TOOLS OF BULB FABRICATING

T2



HIGHLY

G11

Design, specifications are subject to change without notice.

CONTROL UNITS

Accessories

PADLOCK COVER

HPB□-□

1 2

1.HOLDER TYPE

22 22mm

30 30mm

2.BUTTON TYPE

H 50mm

E 30mm



HPB22-H06L



HPB30-H06L



HPB22-E06L

ANTI-MISTOUCH COVER

EM□-□

1 2

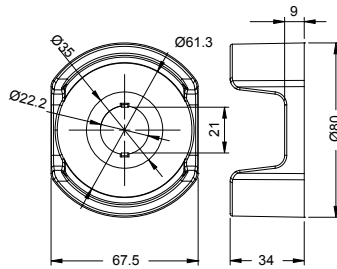
1TYPE

2.COLOR

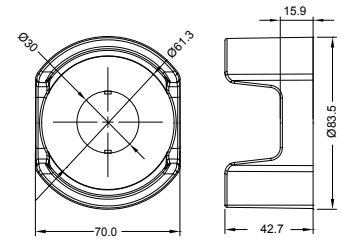
Y YELLOW

W WHITE

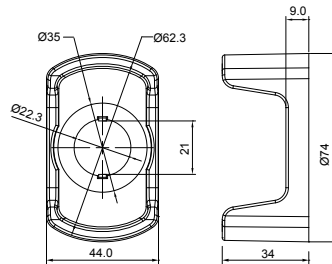
01



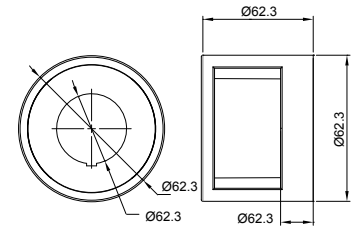
03



02



04



CONTROL BOX

C□-□

1 2

1.CONTROL HOLE Q,TY

1 1 holder

2 2 holder

3 3 holder

4 4 holder

2.BOX COLOR

Y YELLOW

W WHITE



HIGHLY

G12

Design, specifications are subject to change without notice.