

» Features

- Snap-in type, can be mounted directly on P.C.B board.
- Several LED colors options.
- Adequate for DIP & SMT.
- Several LED colors or bi-color or RGB color options.
- Customized cap and legends are available.

» Applications

- Operating switches in all types of electronic equipment such as audio apparatus, office equipment, communications apparatus, TV sets, VCRs, etc.



» Specifications

| | |
|-----------------------|---------------------------------|
| Rating | 50mA 12VDC |
| Insulation Resistance | 100MΩ Min (at 500 VDC) |
| Dielectric Strength | AC 250V (50/60 Hz for 1 minute) |
| Contact Resistance | 100mΩ Max. (Initial) |
| Electrically Life | 300,000 Cycles Min |
| Ambient Temperature | -25°C~ +70°C |
| Operating Force | 160 ± 50gf |








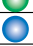

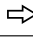



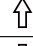
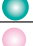
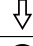









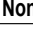


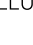

» LED Specifications

| Color | VR | IF | Recommended Operating Current | VF | |
|--------|-------|------|-------------------------------|------|------|
| | | | | Nor | Max |
| Red | DC 5V | 20mA | 20mA | 1.7V | 2.4V |
| Green | DC 5V | 20mA | 20mA | 1.9V | 2.4V |
| Yellow | DC 5V | 20mA | 20mA | 1.9V | 2.4V |
| Blue | DC 5V | 20mA | 20mA | 3.0V | 3.6V |
| White | DC 5V | 20mA | 20mA | 3.0V | 3.6V |

For the specification about the other LEDs, please contact with sales department

» Product selection

PB 615

| | | | | | | |
|---|------------------------|---|---|---|------------------|--|
| [] | [] | - | [] | - | [] | [] |
| BUTTON TYPE | FUNCTION | | LED COLOR | | CAP COLOR | LASER ETCHING |
| 1  | Non-LED | | 1  Red | | 1 Misty Silver | 01  |
| 2  | - Standard Type (2P) | | 2  Yellow | | 2 Bright Silver | 02  |
| 6  | H Standard Type (4P) | | 3  Green | | 3 Gold | 03 OK |
| | M SMT Type ML (2P) | | 4  Blue | | 4 White | 04  |
| | HM SMT Type HML (4P) | | 5  White | | 5 Bright Black | 05  |
| | R Right Angle | | 6  Pure Green | | 6 Red | 06  |
| | RS Right Angle (+Fix) | | 7  RGB | | 7 Misty Black | 07  |
| | LED | | 8  Amber | | 8 Sky blue | 08  |
| | L Standard Type (2P) | | 9  Blue Green | | 9 Gunmetal black | 09  |
| | HL Standard Type (4P) | | 10  Pink | | A Orange | 10  |
| | ML SMT Type (2P) | | 011  Purple | | | |
| | HML SMT Type (4P) | | 12  Red/Yellow | | | |
| | RL Right Angle | | 13  Red/Green | | | |
| | RSL Right Angle (+Fix) | | 14  Red/Blue | | | |
| | | | 23  Yellow/Green | | | |
| | | | 48  Blue/Amber | | | |
| | | | 52  White/Yellow | | | |
| | | | 58  White/Amber | | | |
| | | | - Non-LED | | | |

Please inquire about the details with our sales representative.

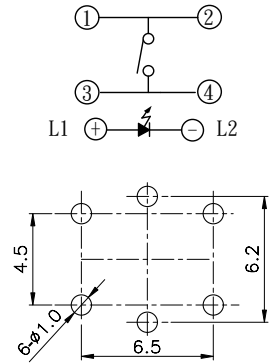
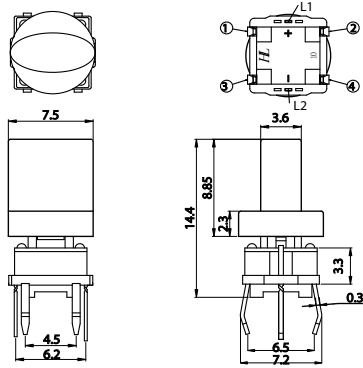
» Operating characteristics

Unit: mm

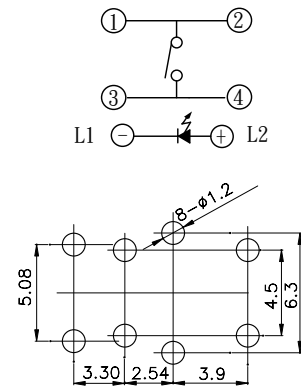
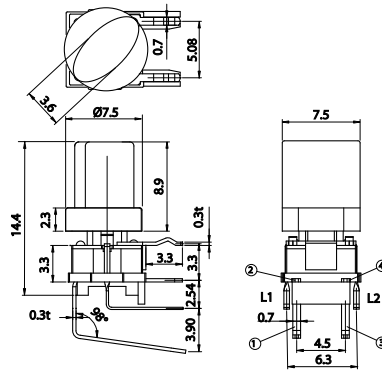
Dimensions

P.C.B Layout

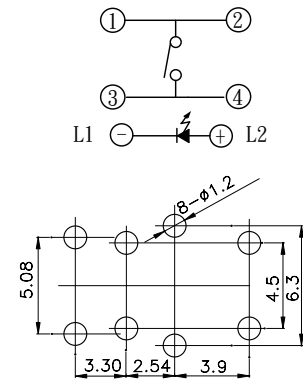
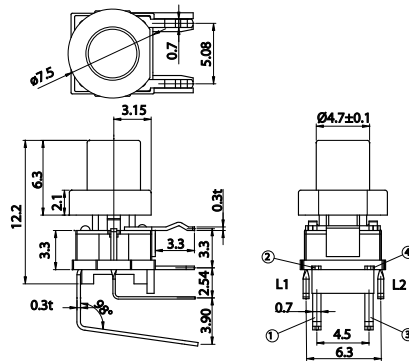
PB6151L-□-104



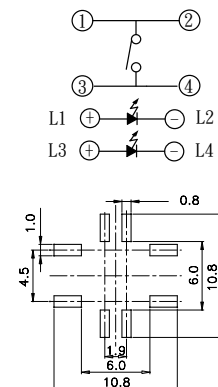
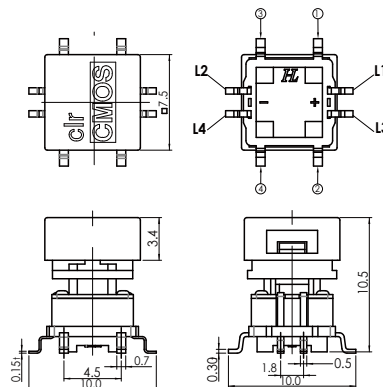
PB6152RSL



PB6156RSL-□-102



PB61531HML-□



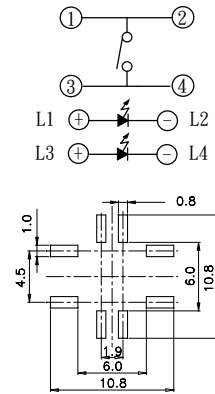
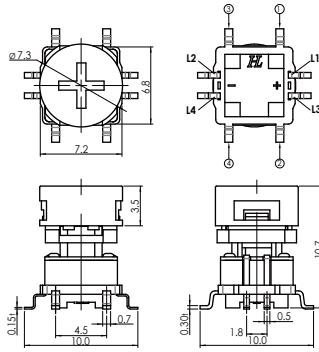
» Operating characteristics

Unit: mm

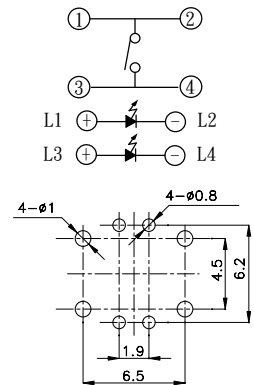
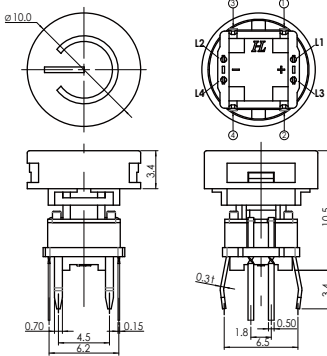
Dimensions

P.C.B Layout

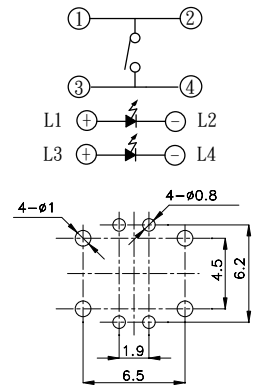
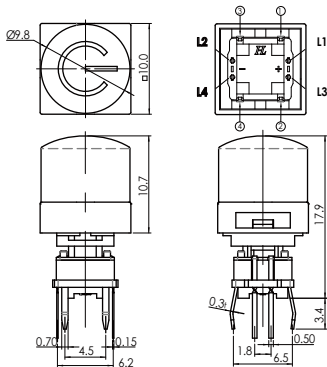
PB61532HML-□



PB61534HL-□



PB615302HL-□



For PB615 □ □ H □ L Series only

| TERMINAL | |
|----------|---------------|
| M | SMT Type |
| □ | Standard Type |

| BUTTON TYPE | | BUTTON TYPE | |
|----------------------|--|----------------------|--|
| 31 | | 301 | |
| 32 | | 302 | |
| 33 | | 303 | |
| 34 | | 304 | |
| 35 | | 305 | |
| 36 | | 307 | |
| Strong terminal only | | Strong terminal only | |